



# SILICON VALLEY SV9

Hybrid Connects **Here**





# SV9 — **Coming Soon!**

CoreSite's strategic Silicon Valley campus expansion includes a new facility, SV9. This purpose-built data center will be constructed to offer 200,000 square feet of turn-key data center space and 34 CMW capacity in 2023.

## Space



### Facility Size

200,000 SF of data center

Four-story facility with optionality for RAF or on-slab deployments

### Deployments

Cabinets, cages, private suites, and built-to-suit

### Power Availability

AC at 208V or 415V

### Fitout

Turn-key, infrastructured shell and powered shell

## Connectivity



### Open Cloud Exchange®

Real-time control of multi-cloud deployments and simplified inter-market connectivity through a single pane of glass

### Peering Exchanges

Any2Exchange® for internet peering and AMS-IX Bay Area

### Carrier Availability

See our carrier list located at [CoreSite.com/carrier-list](http://CoreSite.com/carrier-list)

### Cross Connects

Fiber, copper and coaxial

### Diversity

Diverse POEs, MDFs, IDF's

## Security



### Access

Key cards, biometric scanners, and mantrap entries, perimeter site fence

### Cameras

Perimeters and interior IP-DVR

### Security Officers

24x7x365 in-house and on-site security qualified personnel

## Reliability



### Utilities

Onsite 2N Silicon Valley Power Substation

### Fuel Storage

24 hours, on-site

### Water Storage

12 hours of on-site makeup water storage

### Plumbing

Dual city water sources 12-hour on-site storage

### Generators

N+2 Redundancy

### UPS/PDU/RPP

Distributed redundant

### BMS Controls

State-of-the-art mission critical controls and monitoring

### Operations

24x7x365 remote hands

### Mechanical

N+1 redundancy, concurrently maintainable ASHRAE 20-year extreme weather conditions

### Flood Plain

Above 500-year flood plain

### Uptime

99.999% uptime SLA

## Structure



### Floor Loading

225 pounds/SF

### Elevators

Passenger: 5,000 pounds  
Freight: 10,000 pounds

### Hardened Exterior

1.5 importance factor

### Clear Height

11' above 36" raise floor or 14' on slab

### Loading Dock

Hydraulic lift gate

### Column Spacing

30' 4" x 31'

### Hanging Load

35 pounds/SF

## Efficiency



### Chiller Plant

Water-cooled, magnetic-bearing, variable speed chillers, adiabatic dry coolers, minimized water usage

### Electrical

High-efficiency UPS systems

### Life Safety

Fire pump, dual-interlock preaction sprinkler systems, air sampling smoke detection

### Utility Power

Power taken at 12kV to achieve rate reduction and distribution efficiencies

### Data Hall Cooling

CRAH unit with EC motors, dedicated outside air roomtop units with heat pump, integrated dehumidification and MERV-13 air filtration, hot aisle containment

### Lighting

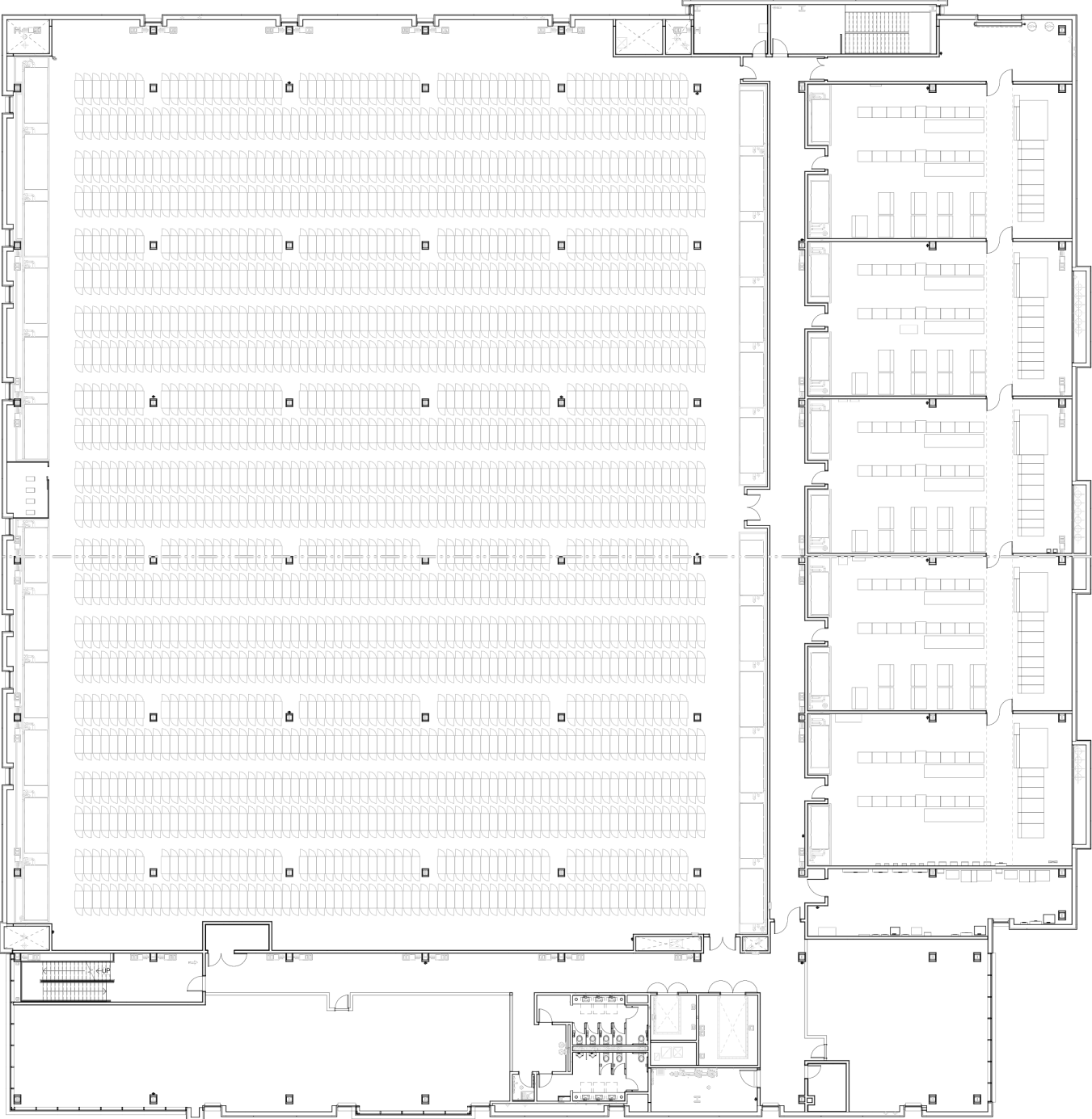
Lutron Eco-System lighting controls, LED lighting system

### Monitoring

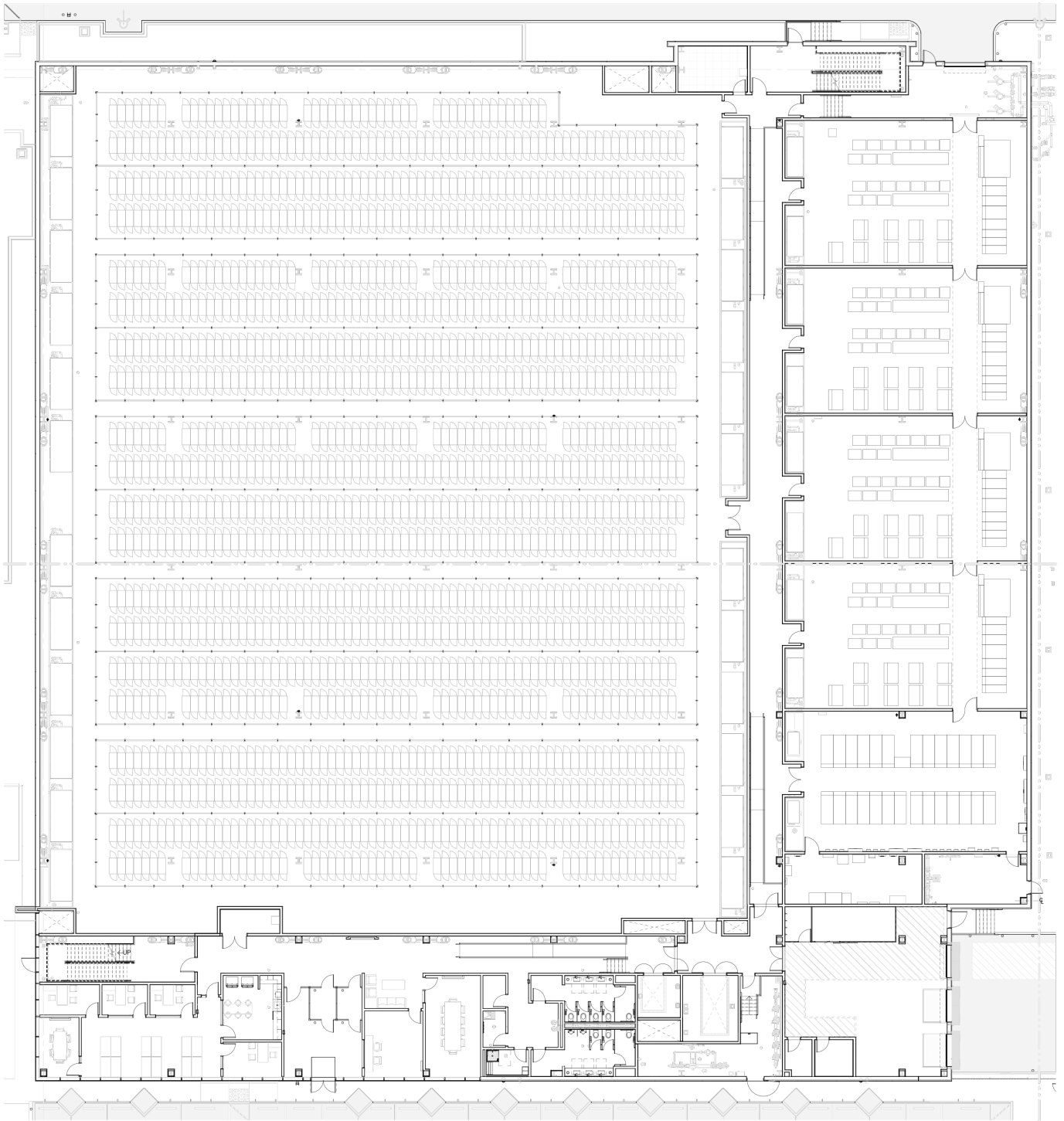
RF code readers for pin-point accuracy of temperature and humidity within customer deployments

# Sample Plans

Sample plans show potential configurations of cabinets and private suites.

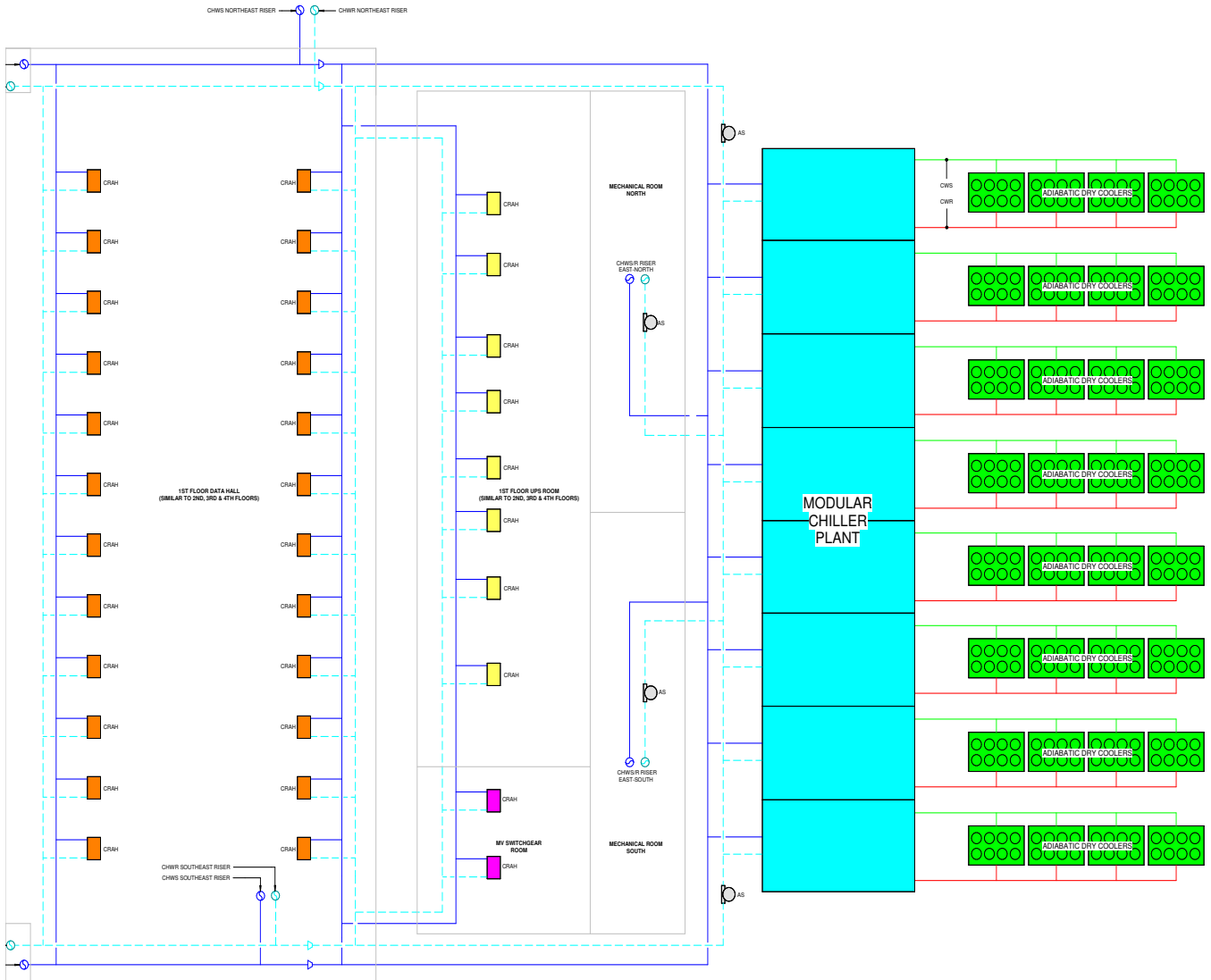


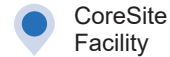
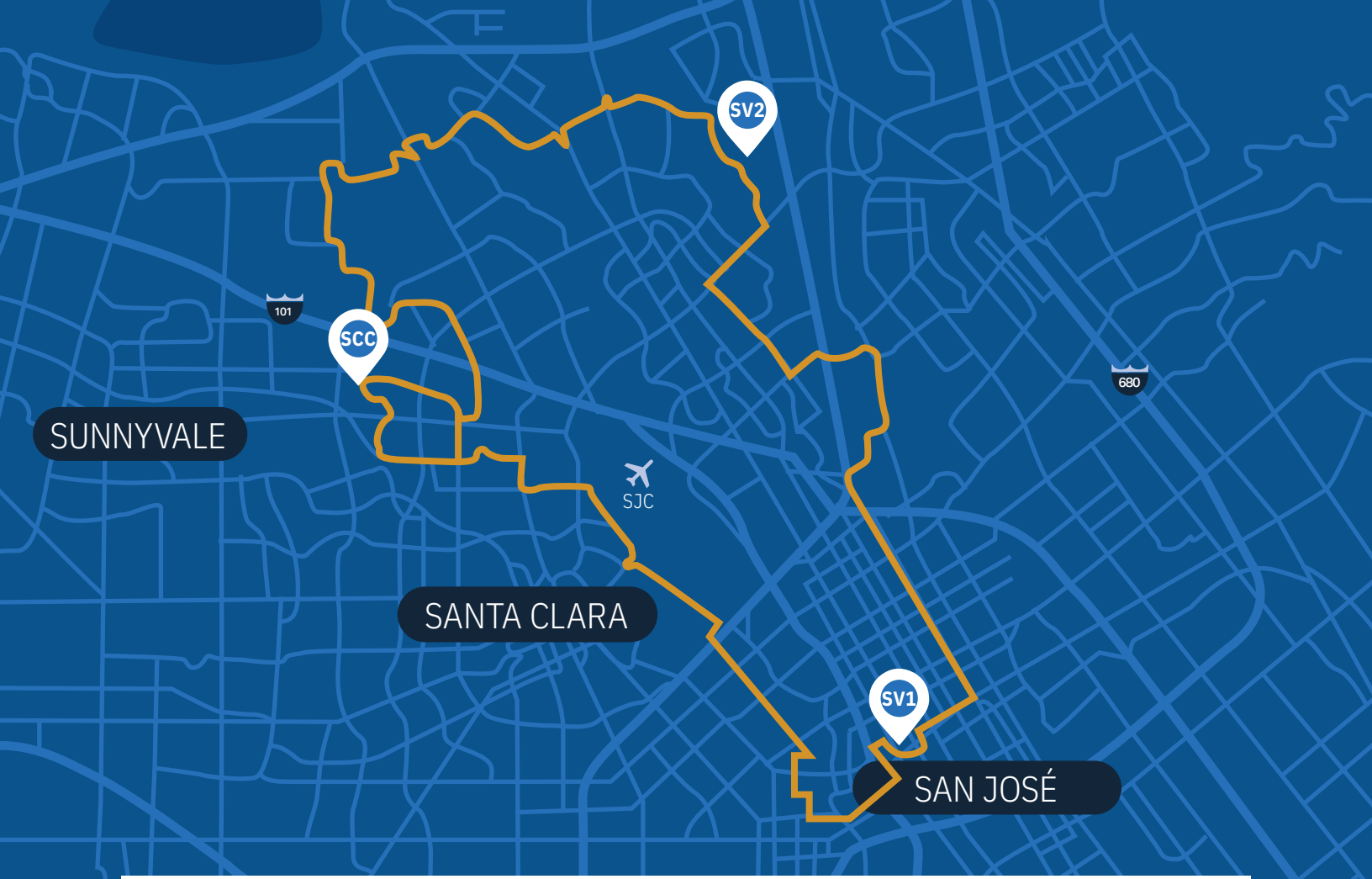
Sample Plan 1



Sample Plan 2

# Modular Chiller Plant





CoreSite  
Facility



Primary  
Fiber Route

HYBRID CONNECTS HERE:

# Silicon Valley Market

CoreSite's Silicon Valley campus is the ideal environment for digital platforms with a rich ecosystem of networks and public and private cloud providers with a need to improve application performance and reduce total cost of ownership – and time to market.

- Create stellar digital experiences
- Lower latency and improve performance
- Reduce costs associated with equipment outages and power and cooling
- Improve performance by spreading workloads over multiple private and public clouds
- Increase security by limiting points of network access
- Gain lights-out capabilities, 24/7 security, field operations, remote hands and access to customer portal

This market is comprised of eight operational data centers, providing a variety of colocation options and native cloud on-ramps in the heart of one of the largest concentrations of internet and technology companies in the world. Our Bay area data center footprint — spanning Milpitas, San Jose, and Santa Clara — is uniquely suited to meet the most demanding compute needs. With over 205 cloud, network, and IT service providers available with our data centers, as well as continual investment in market facility expansions, customers can meet growth and technology needs now and in the future.

# CoreSite provides everything you need in a modern **Interconnection Hub**

- Competitive, aggressive pricing and rapid speed to market
- Native (on-net) cloud ramps to all major cloud providers
- Open Cloud Exchange®(OCX) provides direct cloud interconnection to easily conduct business virtually everywhere
- Campus approach of 24 hyper-connected, interconnected data centers in eight major markets
- 450+ domestic and international carriers and access to 40+ intercontinental cables
- Robust ecosystem of service providers offering cybersecurity, storage/backup, DevOps, AI/ML and high-performance computing
- Operational excellence and a self-service customer portal
- Agile, nimble, responsive provider empowered by a flexible technology platform
- Expert service provided by our own security, technical and customer support teams

## AVAILABLE **CLOUD PROVIDERS**

---



## SUBSEA **CABLE NETWORKS**

---

Southern Cross

---

WWW.CORESITE.COM

Contact your CoreSite Sales representative, or call **866.777.CORE**, to learn more.